

Double Pulse Test with the Tektronix AFG31000 Arbitrary Function Generator

APPLICATION NOTE



Introduction

Semiconductor materials used in power electronics are transitioning from silicon to wide bandgap semiconductors such as silicon carbide (SiC) and gallium nitride (GaN) due to their superior performance in automotive and industrial applications. GaN and SiC enable smaller, faster and more efficient designs. Regulatory and economic pressures continue to push efficiency gains in high-voltage power electronics designs. The power-density advantages of smaller and lighter designs are particularly evident in space-constrained and/or mobile usages such as electric vehicles, but compact power electronics are more broadly desirable as well, especially from the standpoint of reduced system cost. At the same time, efficiency is growing in importance as governments introduce financial incentives and more

stringent energy-efficiency regulations. Guidelines issued by global entities, such as the European Union’s Eco-design Directive, the United States Department of Energy 2016 Efficiency Standards, and China’s Quality Certification Centre (CQC) Mark govern energy efficiency requirements for electrical products and equipment. The need to enact greater energy efficiency in power electronics stretches from the point of power generation to the point of consumption, as illustrated in **Figure 1**. Power converters operate at multiple stages throughout the generation, transmission, and consumption chain, and, because none of those operations is 100% efficient, some power loss occurs at each step. Chiefly due to energy lost as heat, these reductions in overall efficiency multiply throughout the cycle. [1]

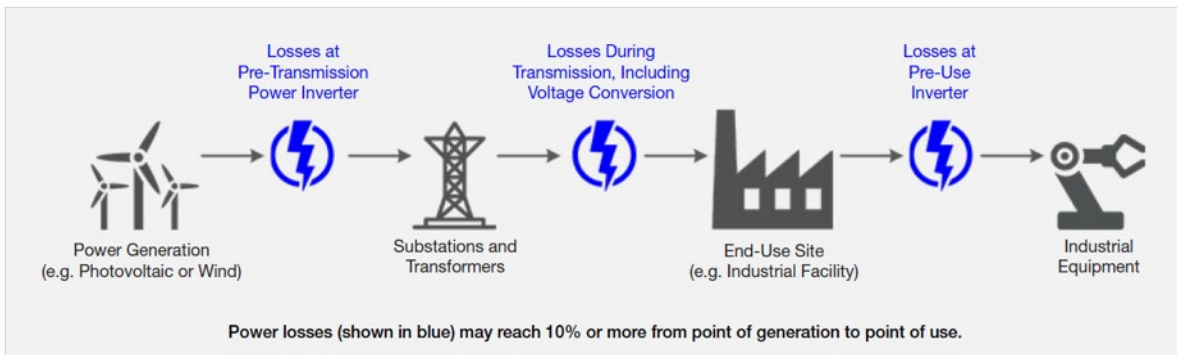


Figure 1: Power losses at the points of generation, transmission, and consumption [1].

When designing power converters, a 0% power loss is ideal as illustrated in **Figure 2**.

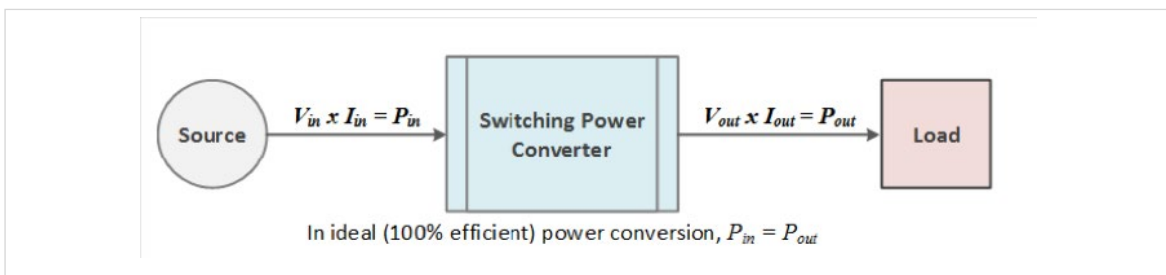


Figure 2: Ideal power conversion efficiency [1].

However, switching losses are inevitable. So, the goal is to minimize the losses through design optimization. Design parameters that are related to efficiency must be rigorously measured.

A typical converter would have an efficiency of about 87% to 90%, meaning that 10% to 13% of the input power is dissipated within the converter, mostly as waste heat. A significant portion of this loss is dissipated in the switching devices such as MOSFETs or IGBTs. [2]

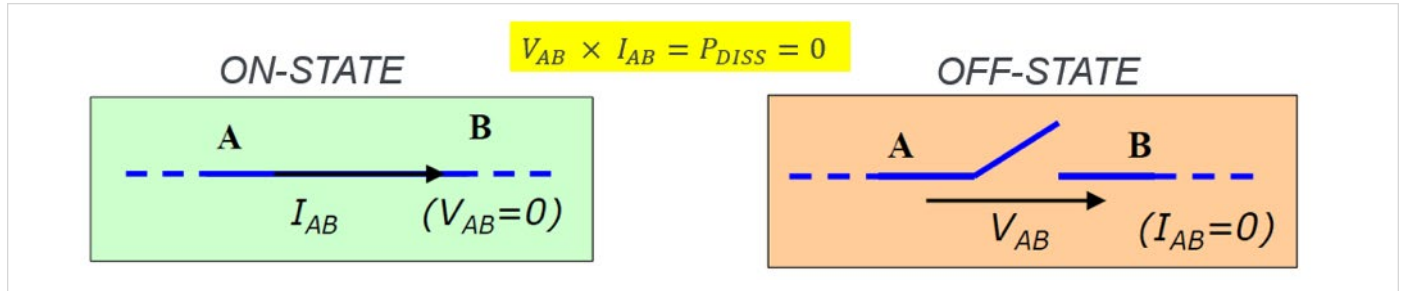


Figure 3: Ideal switching.

Ideally, the switching device is either “on” or “off” as shown in **Figure 3** and instantaneously switches between these states. In the “on” state, the impedance of the switch is zero ohms and no power is dissipated in the switch, regardless of how much current is flowing through it. In the “off” state, the impedance of the switch is infinite, and zero current is flowing, so no power is dissipated.

In practice, power is dissipated during the transition between “on” and “off” (turn-off) and between “off” and “on” (turn-on). These non-ideal behaviors occur because of parasitic elements in the circuit. As shown in **Figure 4**, the parasitic capacitances on the gate slow down the switching speed of the device, extending the turn-on and turn-off times. The parasitic resistances between the MOSFET drain and source dissipate power whenever drain current is flowing. [2]

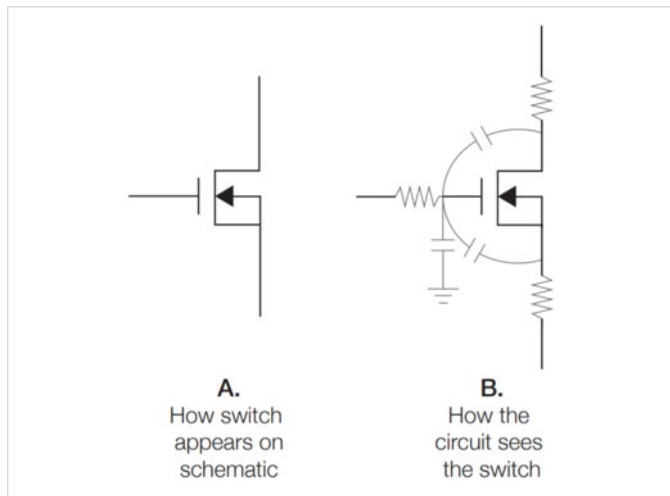


Figure 4: A: How a MOSFET appears on the schematic. B: How the circuit sees the MOSFET.

There’s also reverse recovery loss of the body diode in the MOSFET to consider. Reverse recovery time of the diode is a measure of the switching speed in the diode and thus affects the switching losses in the converter design.

Therefore, design engineers will need to measure all these timing parameters in order to keep the switching losses at minimum and thus design more efficient converters.

The preferred test method to measure the switching parameters of MOSFETs or IGBTs is the “**Double Pulse Test**” method. This application note will describe the Double Pulse Test and how it’s implemented. An example using an ST Micro-Electronics evaluation board and Tektronix equipment is provided. In particular, this application note will show how easy it is to generate pulses with the Tektronix AFG31000 Arbitrary Function Generator and its built-in Double Pulse Test application along with taking measurements with the Tektronix 5 Series MSO Mixed Signal Oscilloscope.

What is the Double Pulse Test?

Double Pulse Test is a method to measure the switching parameters and evaluate the dynamic behaviors of power devices. Users of this application typically want to measure the following switching parameters: [3]

- **Turn-on Parameters:** Turn-on delay ($t_{d(on)}$), rise time (t_r), t_{on} (turn-on time), E_{on} (On Energy), dv/dt and di/dt . Energy loss is then determined. [4]
- **Turn-off Parameters:** Turn-off delay ($t_{d(off)}$), fall time (t_f), t_{off} (turn-off time), E_{off} (Off Energy), dv/dt and di/dt . Energy loss is then determined. [4]
- **Reverse Recovery Parameters:** t_{rr} (reverse recovery time), I_{rr} (reverse recovery current), Q_{rr} (reverse recovery charge), E_{rr} (reverse recovery energy), di/dt and V_{sd} (forward on voltage). [4]

This test is performed to:

- Guarantee specifications of power devices like MOSFETs and IGBTs.
- Confirm actual value or deviation of the power devices or power modules.
- Measure these switching parameters under various load conditions and validate performance across many devices.

A typical Double Pulse Test circuit is shown in **Figure 5**.

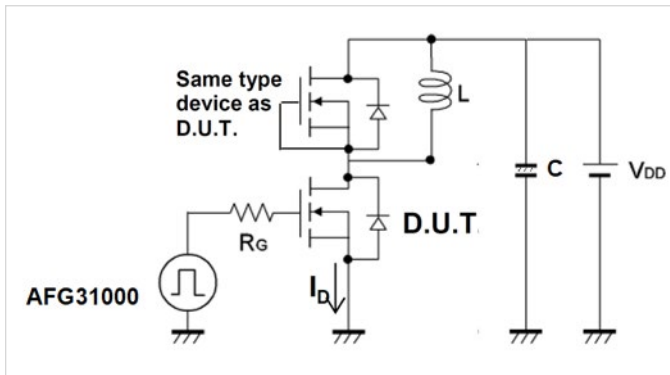


Figure 5: Double Pulse Test circuit.

The test is done with an inductive load and a power supply. The inductor is used to replicate circuit conditions in a converter design. The power supply is used to provide voltage to the inductor. The AFG31000 is used to output pulses that trigger the gate of the MOSFET and thus turns it on to start conduction of current.

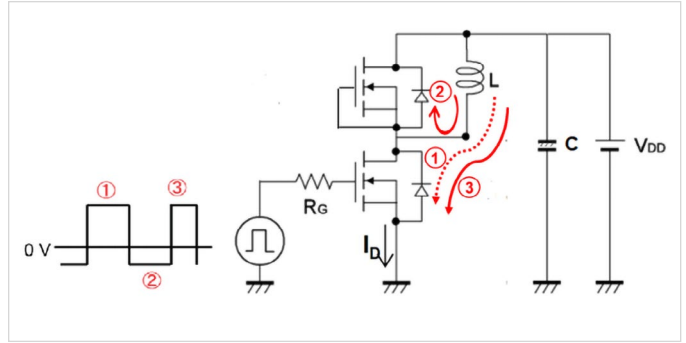


Figure 6: Current Flow with MOSFETs as DUTs.

Figure 6 shows the current flow within the different stages of the test for a Double Pulse Test with MOSFETs. The same current flow would apply when using IGBTs as shown in **Figure 7**.

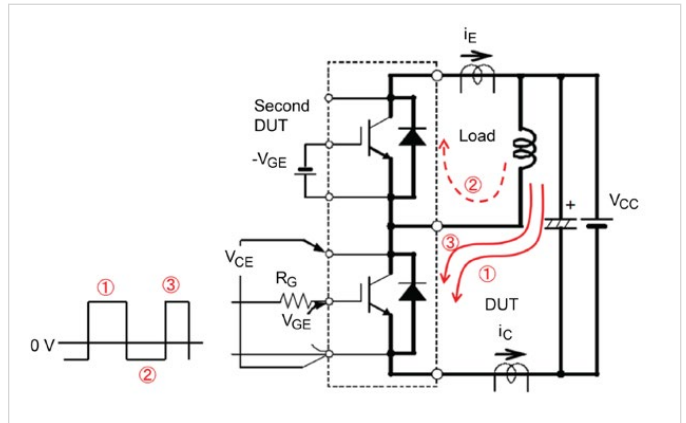


Figure 7: Current Flow using IGBTs as DUTs.

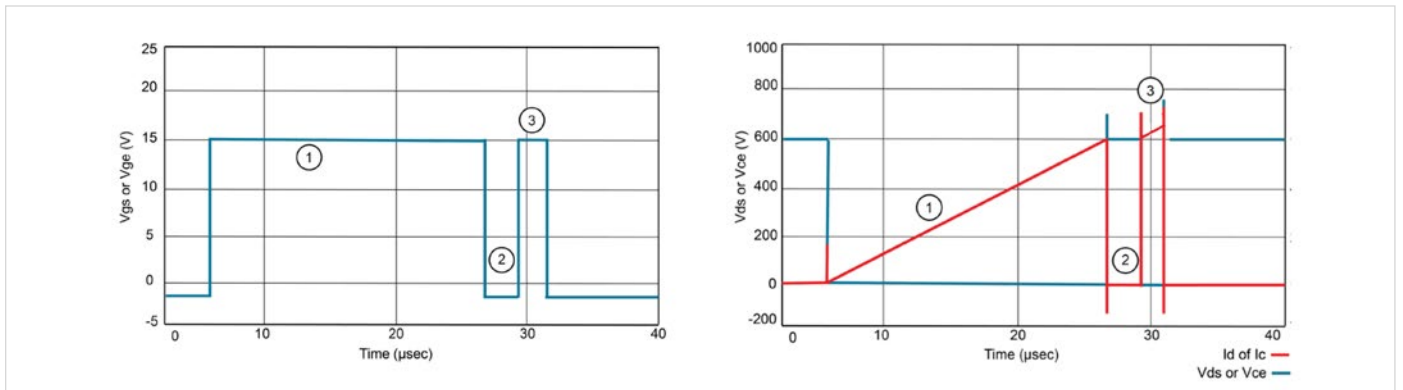


Figure 8: Typical Waveforms of the Double Pulse Test.

Figure 8 shows typical measurements taken on the low side MOSFET or IGBT. Here are the different stages of the Double Pulse Test (These stages refer to **Figures 6, 7 and 8**)

- The first step, represented by turn-on pulse number 1, is the initial adjusted pulse width. This establishes current in the inductor. This pulse is adjusted to get to the desired test current (I_d) as shown in **Figure 8**.
- The second step (2) is to turn-off the first pulse, which creates current in the free-wheeling diode. The turn-off period is short to keep the load current as close as possible to a constant value through the inductor. **Figure 8** shows I_d on the low side MOSFET that goes to zero in step 2; however, the current is flowing through the inductor and the high side diode. This could be seen in **Figures 6 and 7**, as the current flows through the diode of the high side MOSFET (the MOSFET that doesn't get turned on).
- The third step (3) is represented by the second turn-on pulse. The pulse width is shorter than the first pulse so that the device is not overheated. The second pulse needs to be long enough for the measurements to be taken. The current overshoot seen in **Figure 8** is due to the reverse recovery of the free-wheeling diode from the high side MOSFET/IGBT.
- Turn-off and turn-on timing measurements are then captured at the turn-off of the first pulse and the turn-on of the second pulse.

The next section will discuss the test setup and how the measurements are taken.

Double Pulse Test Setup

Figure 9 shows the equipment setup for running a Double Pulse Test. The following equipment is required:

- AFG31000: Connects to the isolated gate driver and uses the Double Pulse Test application on the unit to quickly generate the pulses with varying pulse widths. The isolated gate driver is what turns the MOSFET on.
- Oscilloscope (this setup uses a Tektronix 5 Series MSO): Measures V_{ds} , V_{gs} and I_d .
- IsoVu (TIVM1): A high-common mode rejection probe. This probe is recommended to be used to measure V_{gs} . Specifically, for wide bandgap semiconductors, since it also offers high bandwidth and high common mode voltage. More information on IsoVu is described in the following application note: "*Measuring Vgs on Wide Bandgap Semiconductors*". [8]
- DC power supply or a source measure unit (SMU) instrument is needed to supply the load voltage.

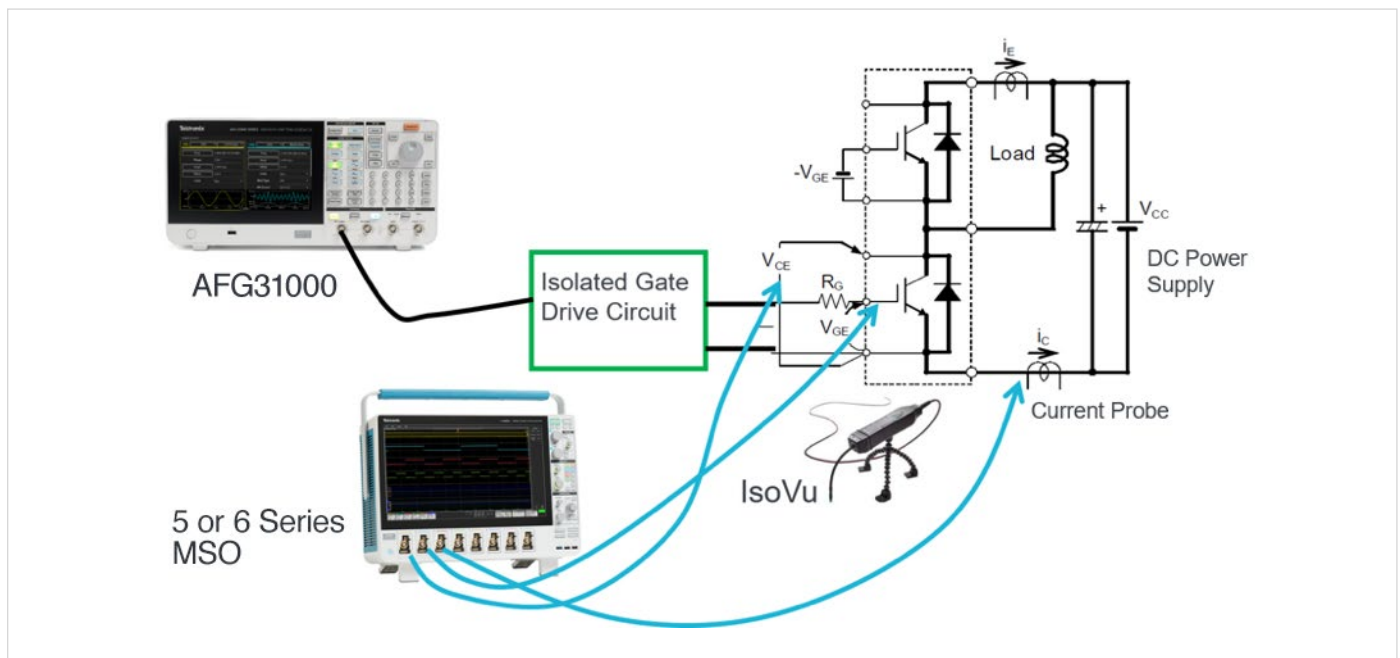


Figure 9: Double Pulse Test Setup.

The AFG31000 Double Pulse Test application can be downloaded directly from the tek.com website and installed onto the AFG31000. **Figure 10** shows the icon of the Double Pulse Test on the home screen of the AFG31000 after the application is downloaded and installed on the unit.

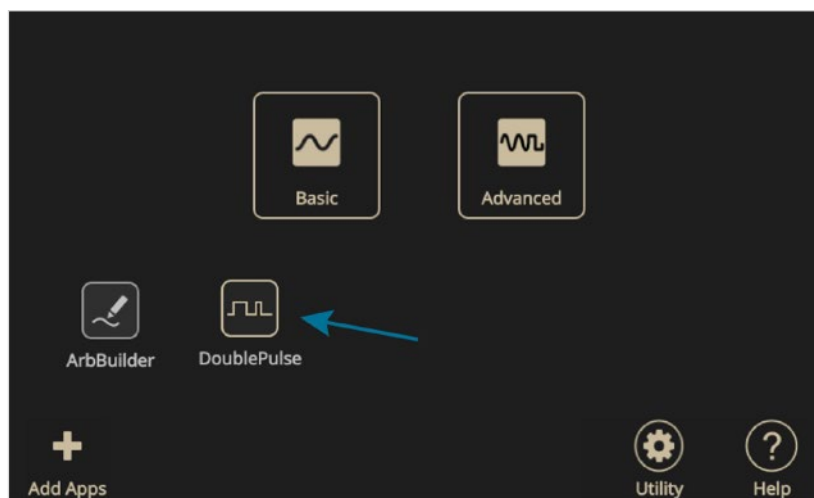


Figure 10: AFG31000 Home Screen.

The Double Pulse Test application lets the user create pulses with varying pulse widths, which has been the main user pain point due to the time-consuming methods to create pulses with varying pulse widths. Some of these methods include creating waveforms on the PC and uploading them to the function generator. Others are using microcontrollers that require a lot of effort and time to program. The Double Pulse Test application on the AFG31000 enables this from the front display. The application is intuitive and quick to setup. The first pulse width is adjusted to get the desired switching current value. The second pulse could also be adjusted independently of the first pulse and is usually shorter than the first pulse so that the power device is not destroyed. The user also has the capability of defining the time gaps between each pulse.

Figure 11 shows the Double Pulse Test application window. Here the user can set the:

- Number of pulses: 2 to 30 pulses
- High and low voltage magnitude (V)
- Trigger delay (s)
- Trigger source – manual, external, or timer
- Load – 50 Ω or high Z

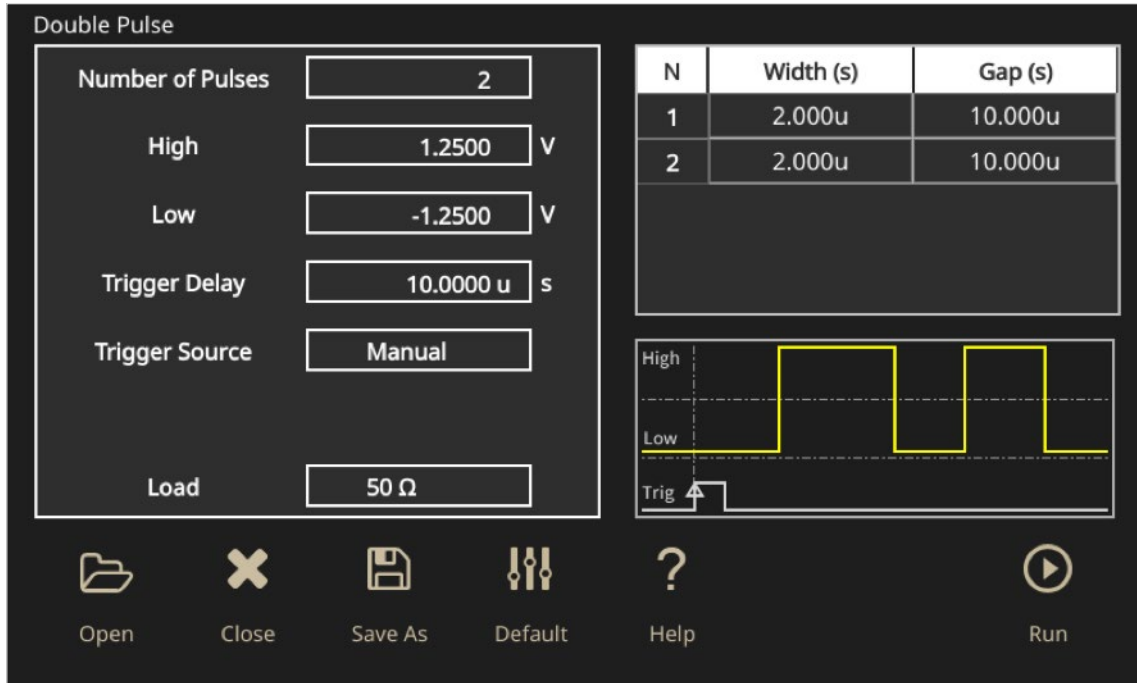


Figure 11: Double Pulse Double Pulse Test application on the AFG31000.

The Double Pulse Test application offers many features highlighted in the table below and their corresponding benefits for the user.

Features	Corresponding Benefit
Generate 2 pulses with varying pulse widths	Ability to control the pulse widths, which is very critical to this test
Pulse widths from 20 ns to 150 μs	Wide range of pulse widths
GUI and large touchscreen display	Easy to use and quick. All the settings are on one window, less room for error or ambiguity
Offers 3 trigger methods: Manual, Continuous and External.	<ul style="list-style-type: none"> • Manual: Quick setting for one-time measurement • Continuous: More automation to the user • External: Able to trigger it with the scope
Could output up to 30 pulses	Useful for beginners who are not sure what their desired operating current might be
50 Ohm or High Z output modes	Gives the user more choices depending on their device impedance
Easy to download and install	Saves the user a lot of time
Works on all AFG31000 models	Existing customers could also download the application with the free firmware upgrade.

Table 1: Features and benefits of the Double Pulse Test application on the AFG31000.

Figure 12 shows an actual test setup for the Double Pulse Test.

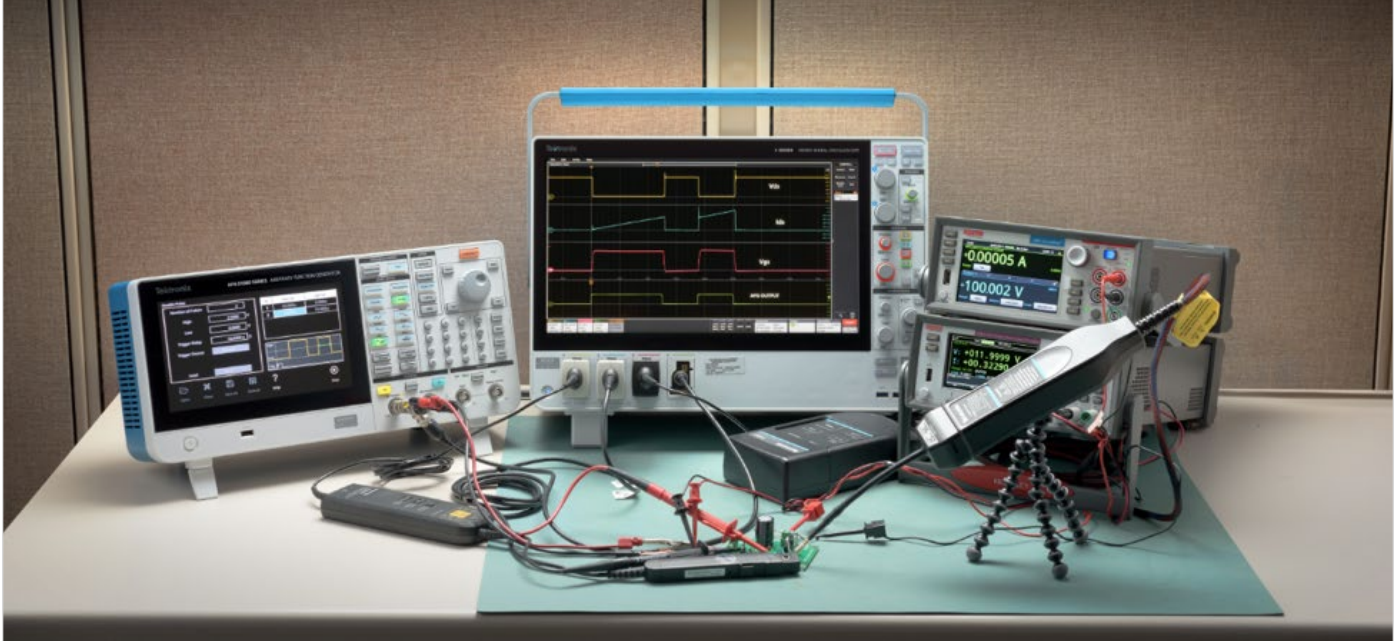


Figure 12: Double Pulse Test setup.

In this example, an ST Micro-Electronics evaluation board is being used as a gate driver for N-channel power MOSFETs and IGBTs: EVAL6498L shown in Figure 13.



Figure 13: EVAL6498L: <https://www.st.com/en/evaluation-tools/eval6498l.html>.

The MOSFETs that were used are also from ST Micro-Electronics: STFH10N60M2. These are N-channel 600V MOSFETs, rated at 7.5A drain current.

Other equipment and devices used in the test circuit include:

- Tektronix MSO54 Oscilloscope: 1 GHz, 6.25 GS/s
- Tektronix current probe TCP0030A-120 MHz
- Tektronix high voltage differential probes: TMDP0200
- Keithley DC power supply – 2280S (supplies power to the gate driver IC)
- Keithley 2461 SMU Instrument (supplies voltage to the inductor)
- Inductor: ~1 mH

The power connections are as follows:

- The MOSFETs are soldered onto the board. Q2 is the low side, and Q1 is the high side.
- Gate and source on Q1 will need to be shorted since Q1 will not be turned on.
- Gate resistor is soldered for Q2. $R = 100 \Omega$.
- CH1 from the AF31000 is connected to inputs PWM_L and GND on the eval board.
- Keithley power supply is connected to V_{CC} and GND inputs on the eval board to provide power to the gate driver IC.
- Keithley 2461 SMU Instrument is connected to HV and GND to provide power to the inductor.
- The inductor is then connected to HV and OUT.

Double Pulse Test Measurements

Once all the power connections have been safely connected, we can connect the probes from the oscilloscope to Q2 (low side MOSFET) as shown in **Figure 14**.

- IsoVu probe is connected to V_{GS} .
- Differential voltage probes are connected to V_{DS} .
- TCP0030A current probe through a loop on the source lead of the MOSFET.

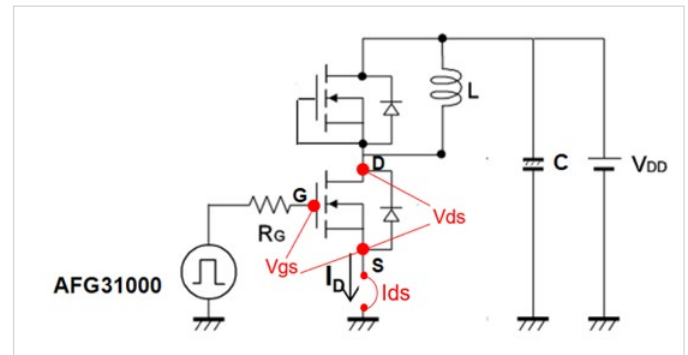


Figure 14: Scope measurements test points.

Careful probing and optimization will help the user get good results. There are steps that the user can take to make accurate and repeatable measurements like removing voltage, current and timing errors from the measurement. For more details, please reference the following application note: “Measuring Power Supply Switching Loss with an Oscilloscope”. [2]

The Double Pulse Test can now be set on the AFG31000 as shown in the screen capture in **Figure 15**.

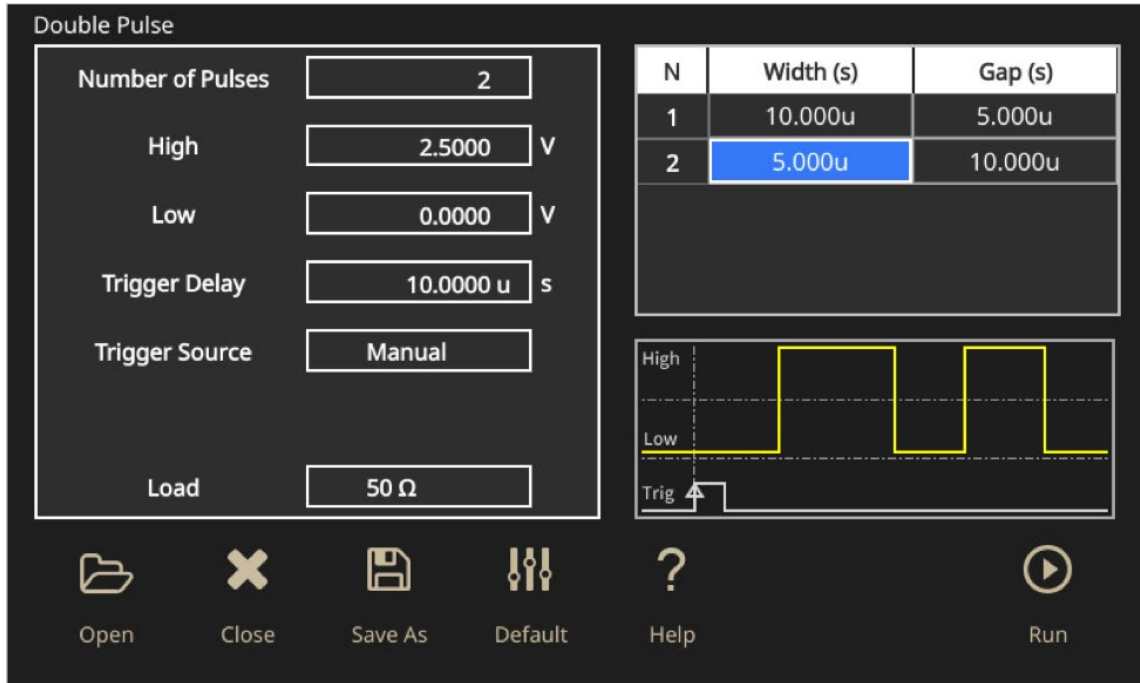


Figure 15: Double Pulse Test settings on the AFG31000.

The amplitude of the pulses is set to 2.5 V. The pulse width for the first pulse is set to 10 μ s, the gap is set to 5 μ s and the second pulse is set to 5 μ s. The trigger is set to manual.

The SMU instrument is set to source 100 V into HV. The 5 Series MSO is then set to take a single trigger measurement. Now the AFG31000 is triggered to output pulses. The resulting waveforms are then captured on the scope as shown in **Figure 16**.

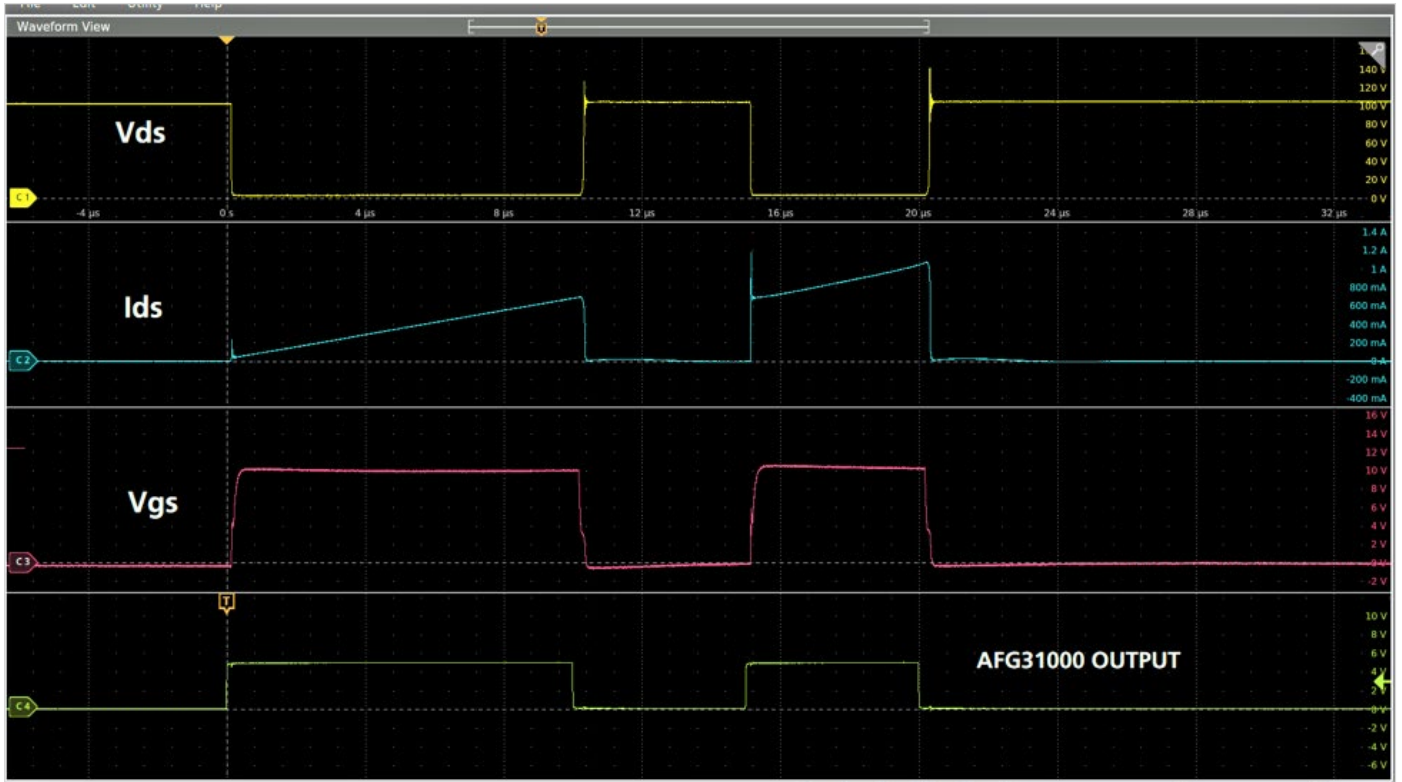


Figure 16: Double Pulse Test waveforms.

Notice the waveforms in **Figure 16** resemble the ones shown in **Figure 8**. Again, the current overshoot seen on I_{ds} is due to reverse recovery of the free-wheeling diode from the high side MOSFET/IGBT. This spike is intrinsic to the device being used and will contribute to the losses.

Measuring Turn-on and Turn-off Timing and Energy Losses

In order to calculate the turn-on and the turn-off parameters, we look at the falling edge of the first pulse and the rising edge of the second pulse.

The industry standard to measure the turn-on and turn-off parameters is shown in **Figure 17**.

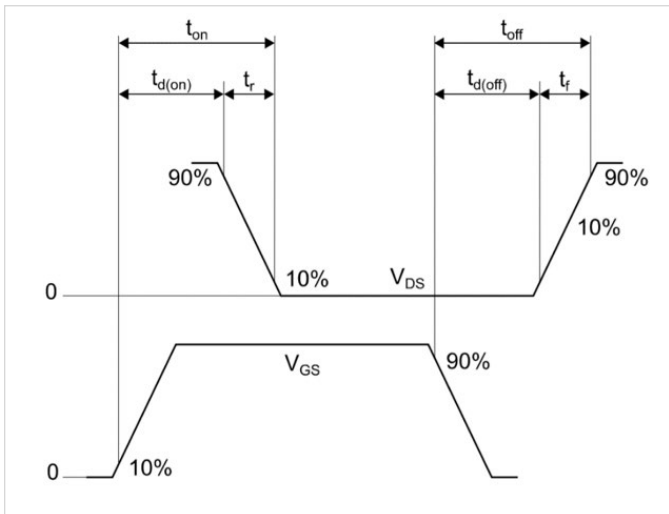


Figure 17: Switching Time Standard Waveform [5].

- $t_{d(on)}$: Time interval between V_{GS} at 10% of its peak and V_{ds} at 90% of its peak amplitude.

- T_r : Time interval between V_{DS} at 90% and 10% of its peak amplitude.
- $t_{d(off)}$: Time interval between V_{GS} at 90% of its peak and V_{ds} at 10% of its peak amplitude.
- T_f : Time interval between V_{DS} at 10% and 90% of its peak amplitude.

Figure 18 shows the waveforms captured on the scope and the measurements for turn-on parameters. Using the cursors, the timing parameters can be retrieved. Using the Math function, the turn-on loss during that transition can be calculated. The 5 Series MSO is also able to perform automated switching losses measurements using the 5-PWR software package on the scope. This is referenced in the following datasheet that could be found on tek.com: “Advanced Power Measurement and Analysis”. [7]

The following equation is then used to calculate the energy losses during the transition:

$$E_{on} = \int_0^t V_{DS} I_{DS} dt \tag{1}$$

Using the integral function on the scope for this specific example would yield to 4.7 μ J.

This is a relatively small energy loss since only nominal voltage and current levels were applied during the test.

Note: The data shown in scope captures is for reference only.

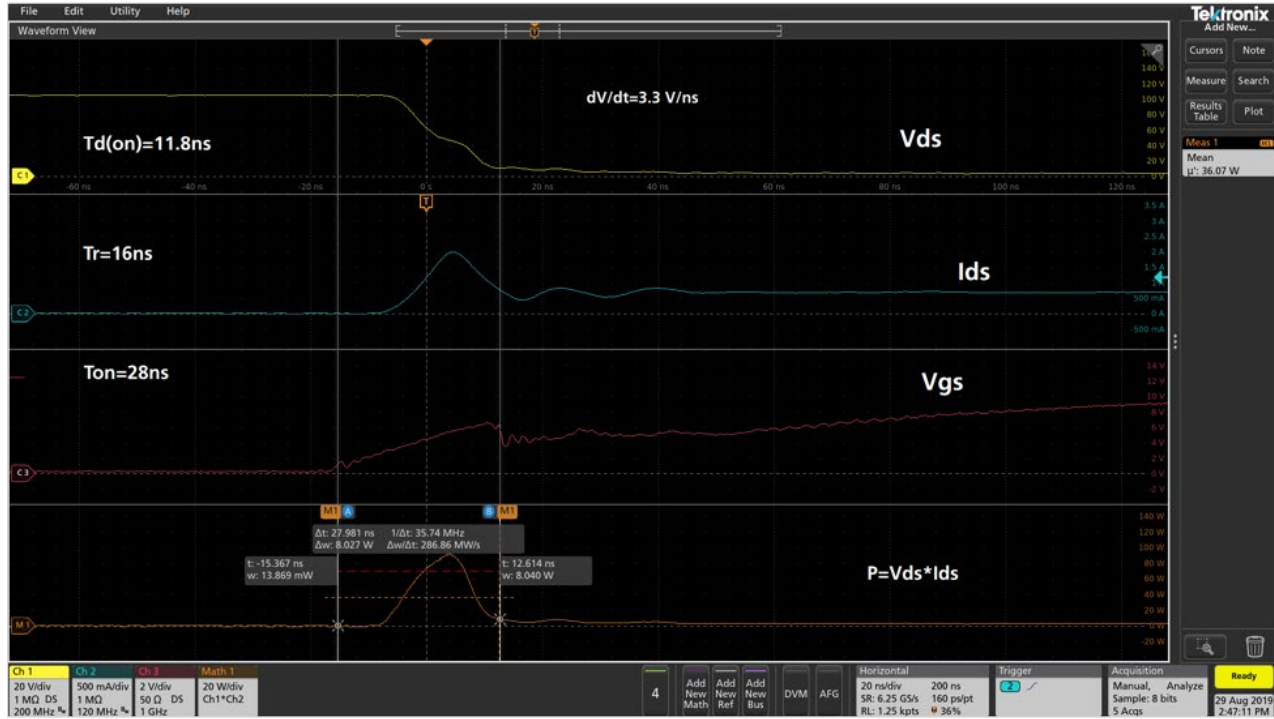


Figure 18: Turn-on parameters waveforms.

Figure 19 shows the turn-off waveforms measurements obtained using the scope cursors.

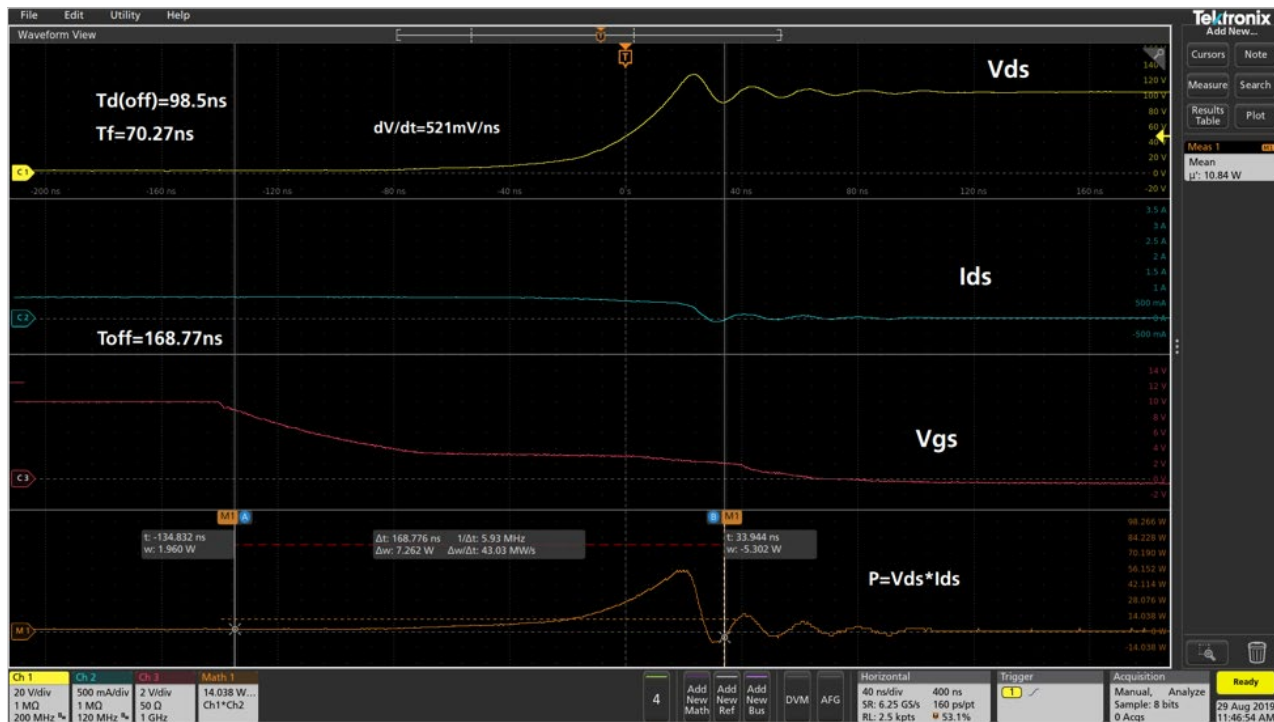


Figure 19: Turn-off parameters waveforms.

Using the Math function, the turn-off loss during that transition can be calculated.

Using the integral function on the scope would yield to 1.68 μJ .

Use the same equation from above to calculate energy losses during the turn-off transition:

Again, this is a relatively small energy loss since only nominal voltage and current levels were applied.

$$E_{off} = \int_0^t V_{DS} I_{DS} dt \quad (2)$$

Measuring Reverse Recovery

Now, the reverse recovery characteristics of the MOSFET need to be measured.

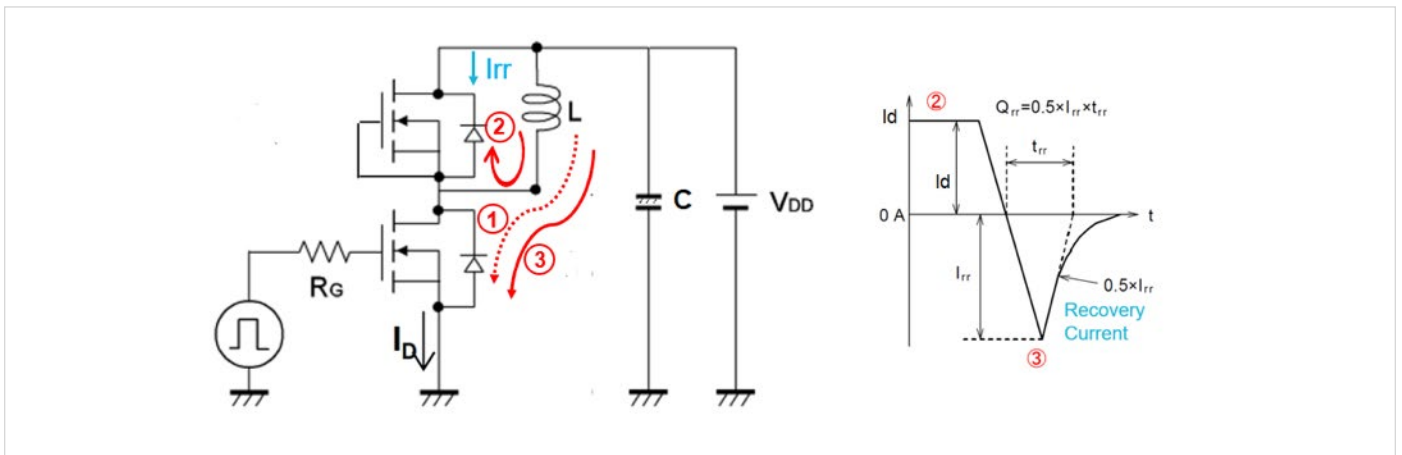


Figure 20: Diode reverse recovery.

Reverse recovery current occurs during the turn-on of the second pulse. As shown in **Figure 20**, the diode is conducting in a forward condition during phase 2. As the low side MOSFET turns on again, the diode should immediately switch to a reverse blocking condition; however, the diode will conduct in a reverse condition for a short period of time, which is known as the reverse recovery current. This reverse recovery current is translated into energy losses, which directly impact the efficiency of the power converter.

Figure 20 also shows how reverse recovery parameters are retrieved below.

The measurements are now done on the high side MOSFET. I_d is measured through the high side MOSFET and V_{sd} across the diode.

- **Reverse Recovery Parameters:** t_{rr} (reverse recovery time), I_{rr} (reverse recovery current), Q_{rr} (reverse recovery charge), E_{rr} (reverse recovery energy), di/dt and V_{sd} (forward on voltage).

The waveforms shown in **Figure 21** were captured at 20 V applied by the SMU instrument. Using the cursors, the timing parameters were retrieved. Using the Math function, the reverse recovery energy loss during that transition is calculated.

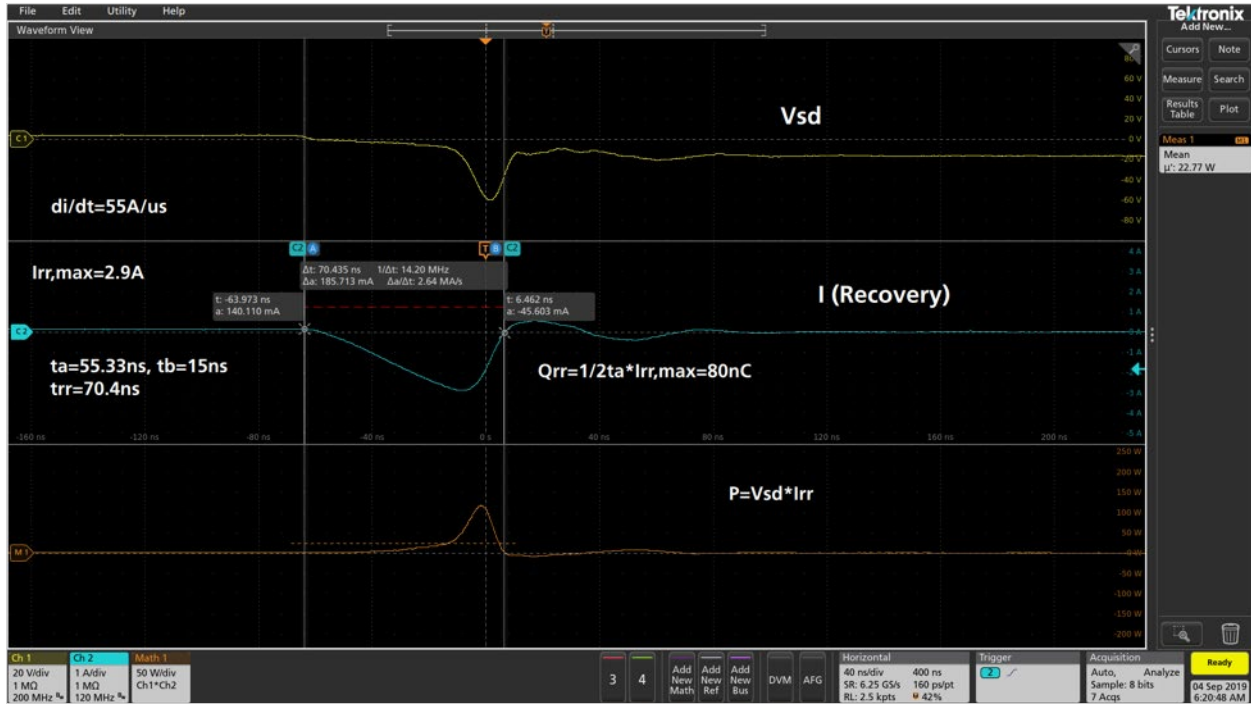


Figure 21: Reverse recovery waveforms.

The following equation is then used to calculate the energy losses during the transition:

$$E_{rr} = \int_0^t V_{sd} I_{rr,max} dt \quad (3)$$

Using the integral function on the scope will yield to 7 μJ.

Conclusion

Double Pulse Test is the preferred test method to measure the switching parameters and evaluate the dynamic behaviors of power devices. Test and design engineers that use this application are interested in switching losses of the converters. The test requires two voltage pulses with varying pulse widths, which is the main user pain point due to the time-consuming methods to create pulses with varying pulse widths. Some of these methods include creating waveforms on the PC and uploading them to the function generator. Others are using microcontrollers that require a lot of effort and time to program. This application note has shown that the Tektronix AFG31000 Arbitrary Function Generator offers a straight forward method to create pulses with varying pulse widths right on the front display. The Double Pulse Test application will save the users time and money. It's quick to set up and to output pulses, thus allowing design and test engineers to focus on gathering data and designing more efficient converters.

References

1. <https://www.tek.com/document/technical-brief/evolving-materials-and-testing-emerging-generations-power-electronics>
2. <https://www.tek.com/document/application-note/measuring-power-supply-switching-loss-oscilloscope>
3. Infineon: Double Pulse Test for IGBT & FWD – Principle <https://u.dianyuan.com/upload/space/2011/07/29/1311925659-501009.pdf>
4. <https://training.ti.com/understanding-mosfet-datasheets-switching-parameters>
5. <https://www.mouser.com/datasheet/2/389/stfh10n60m2-974335.pdf>
6. https://www.st.com/resource/en/data_brief/eval6498l.pdf
7. <https://www.tek.com/datasheet/advanced-power-measurement-and-analysis>
8. <https://www.tek.com/document/application-note/measuring-vgs-wide-bandgap-semiconductors>

Contact Information:

Australia 1 800 709 465
Austria* 00800 2255 4835
Balkans, Israel, South Africa and other ISE Countries +41 52 675 3777
Belgium* 00800 2255 4835
Brazil +55 (11) 3759 7627
Canada 1 800 833 9200
Central East Europe / Baltics +41 52 675 3777
Central Europe / Greece +41 52 675 3777
Denmark +45 80 88 1401
Finland +41 52 675 3777
France* 00800 2255 4835
Germany* 00800 2255 4835
Hong Kong 400 820 5835
India 000 800 650 1835
Indonesia 007 803 601 5249
Italy 00800 2255 4835
Japan 81 (3) 6714 3086
Luxembourg +41 52 675 3777
Malaysia 1 800 22 55835
Mexico, Central/South America and Caribbean 52 (55) 56 04 50 90
Middle East, Asia, and North Africa +41 52 675 3777
The Netherlands* 00800 2255 4835
New Zealand 0800 800 238
Norway 800 16098
People's Republic of China 400 820 5835
Philippines 1 800 1601 0077
Poland +41 52 675 3777
Portugal 80 08 12370
Republic of Korea +82 2 565 1455
Russia / CIS +7 (495) 6647564
Singapore 800 6011 473
South Africa +41 52 675 3777
Spain* 00800 2255 4835
Sweden* 00800 2255 4835
Switzerland* 00800 2255 4835
Taiwan 886 (2) 2656 6688
Thailand 1 800 011 931
United Kingdom / Ireland* 00800 2255 4835
USA 1 800 833 9200
Vietnam 12060128

* European toll-free number. If not accessible, call: +41 52 675 3777

Rev. 02.2018



Find more valuable resources at TEK.COM

Copyright © Tektronix. All rights reserved. Tektronix products are covered by U.S. and foreign patents, issued and pending. Information in this publication supersedes that in all previously published material. Specification and price change privileges reserved. TEKTRONIX and TEK are registered trademarks of Tektronix, Inc. All other trade names referenced are the service marks, trademarks or registered trademarks of their respective companies.

092619 SBG 75W-61623-0

